



Lecture 13: New Computing Paradigms

Notes

- Lab 3 grades posted, will post the breakdown very soon
- Second project meeting on this Thursday and Friday
 - Please sign up if you have not.
- Final Presentation
 - 5/13/2025 (9am-4pm, 2MTC, Rm 907)
 - 5/14/2025 (9am-4pm, RH Rm 202)
 - Will send all the information and signup sheet tonight
- Please participate the final course evaluation:
 - <https://coursefeedback.nyu.edu/nyu/>

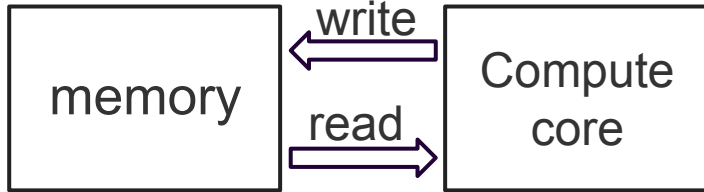
Recap

- FovealNet: Advancing AI-Driven Gaze Tracking Solutions for Efficient Foveated Rendering in Virtual Reality
- FovealSeg: Efficient Gaze-driven Instance Segmentation for Augmented Reality

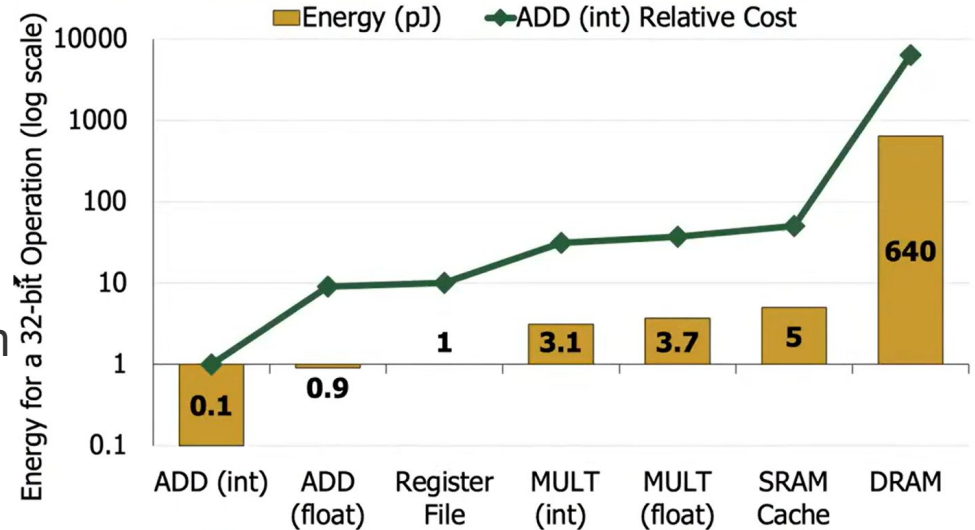
Topics

- In-memory computing
- Stochastic computing

Data Movement Cost vs. Computation Cost



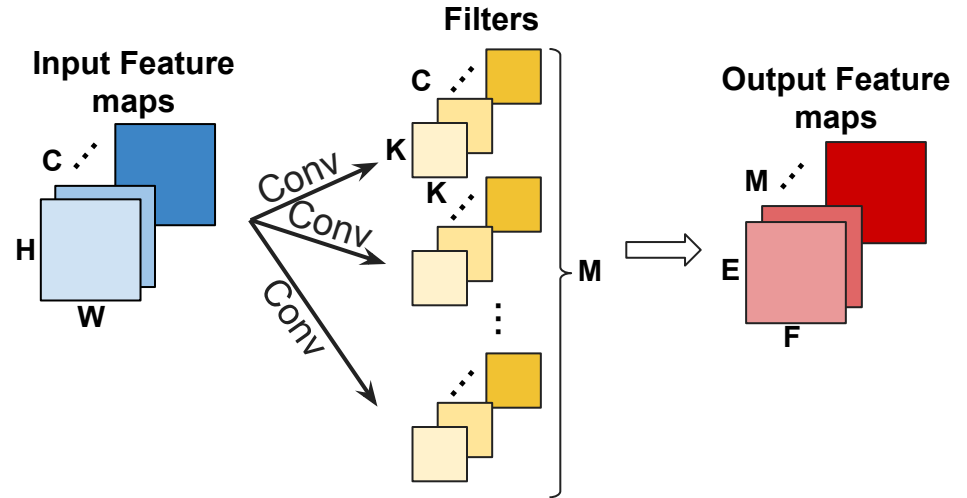
- Retrieving a single element from memory is more costly than computing it.



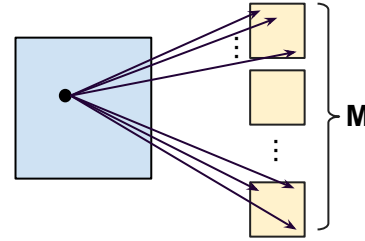
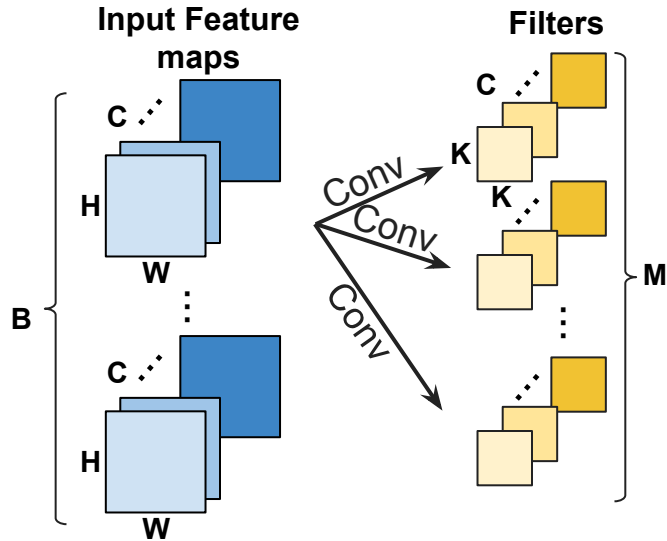
Data Movement Cost vs. Computation Cost

- **Arithmetic intensity:** the ratio of total floating-point operations to total data movement (bytes)

$$\frac{\text{Total FLOPs}}{\text{Total data movement}}$$

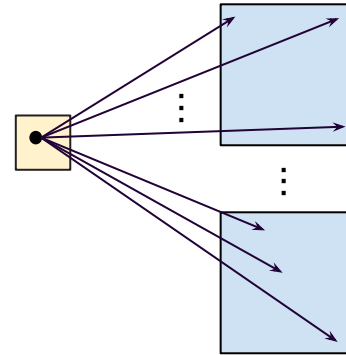
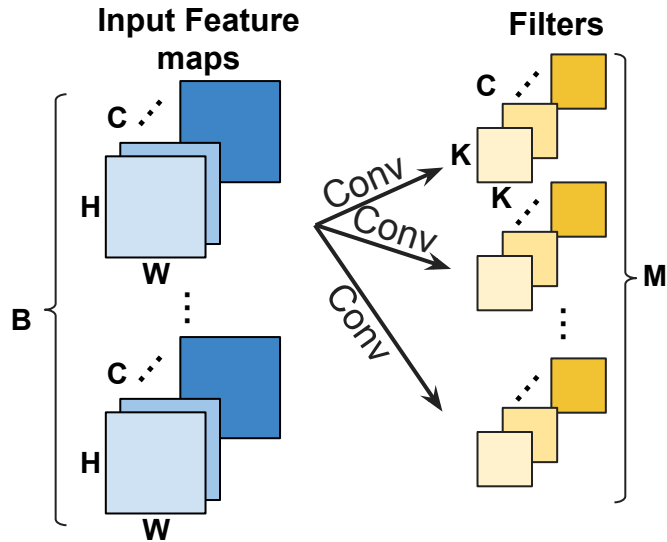


Data Movement Cost vs. Computation Cost



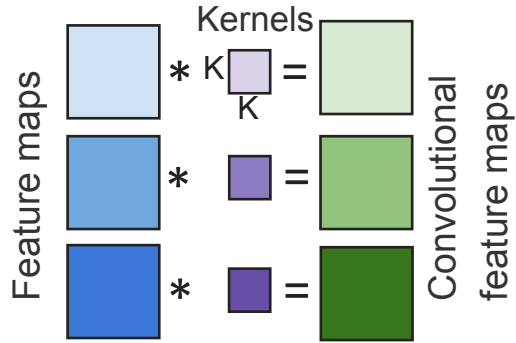
- For each single element within the input feature maps, the maximum amount of reuse = K^2M .

Data Movement Cost vs. Computation Cost

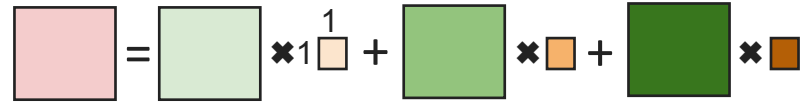


- For each single element within the weight kernel, the maximum amount of reuse = BHW .
- For standard convolution, the arithmetic intensity is high.

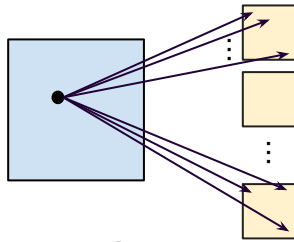
Data Movement Cost vs. Computation Cost



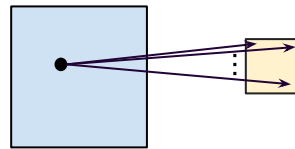
Step 1 Depthwise Convolution



Step 2 Pointwise Convolution



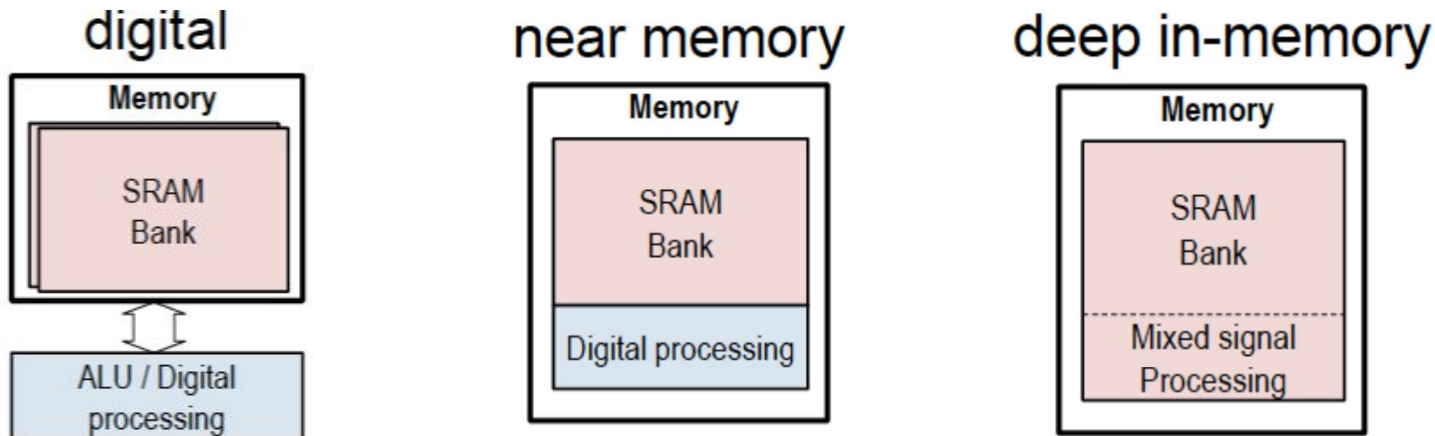
Conv



Dconv

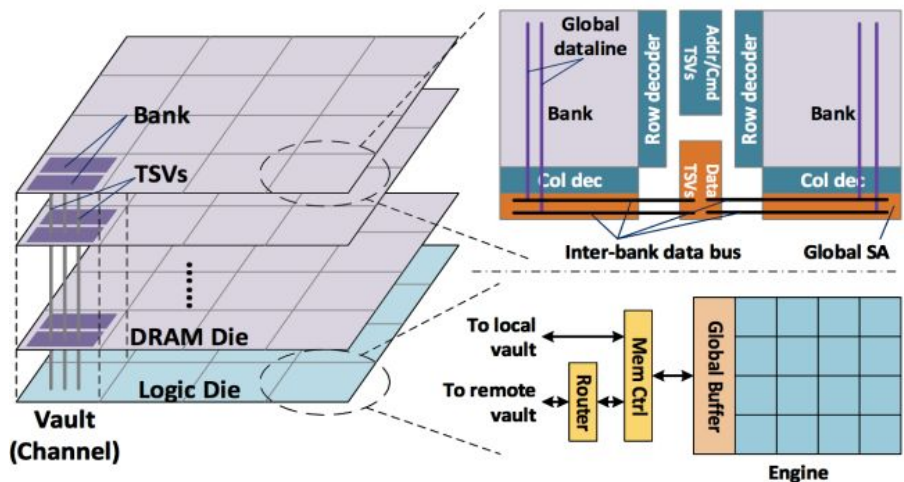
- For each single element within the input activation, the maximum amount of reuse = K^2 for Dconv.

Near/In-Memory Processing

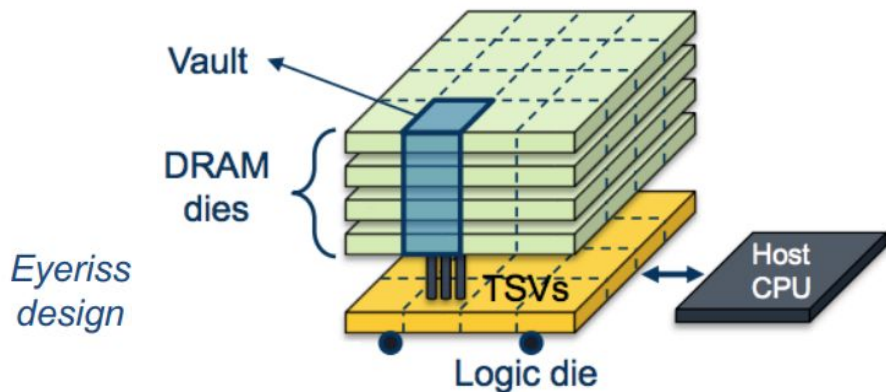


- Near memory computing has a higher BW, and analog in-memory computing integrate the computation with the memory access.
- Analog PIM brings compute closer to the memory.

Near Memory Processing

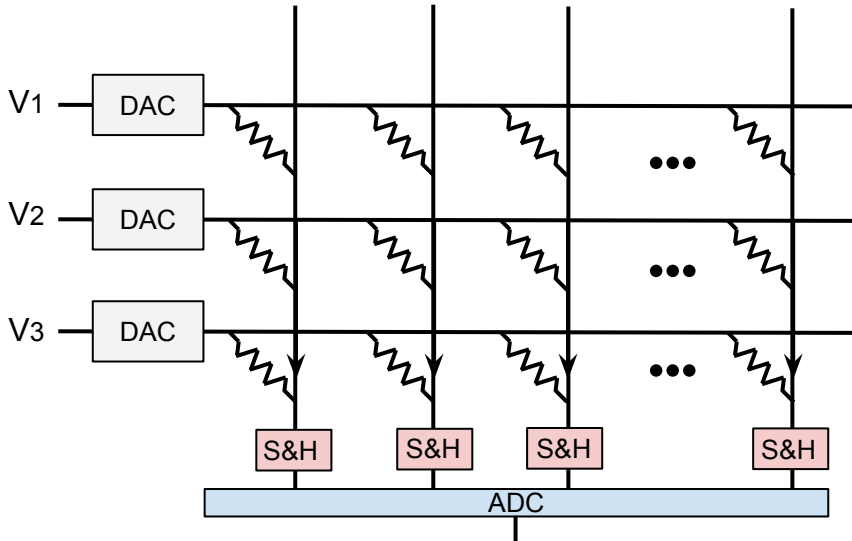


Tetris

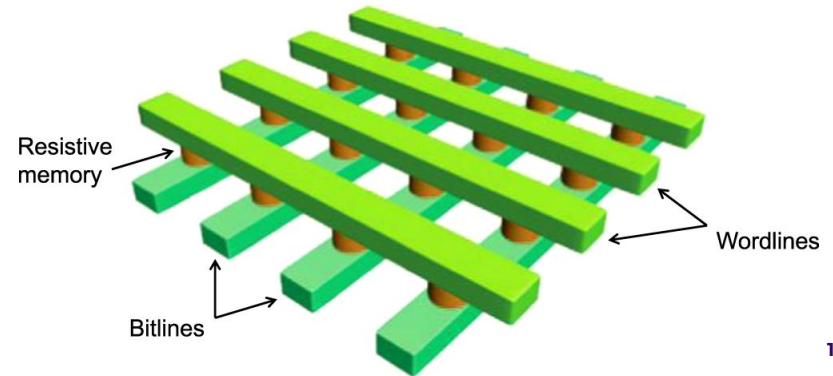


NeuroCube

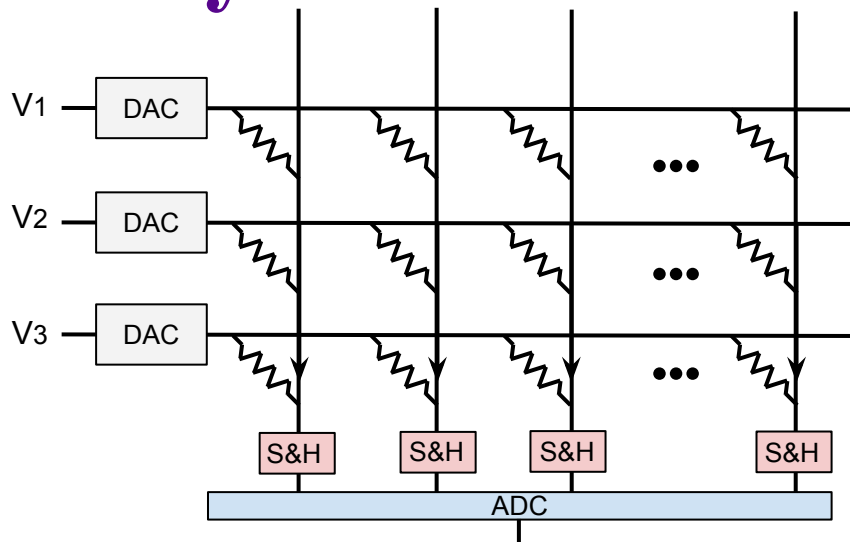
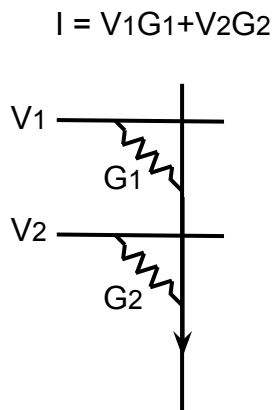
Resistive Memory



- Resistive RAM (ReRAM or RRAM) is a type of non-volatile RAM that works by changing the resistance across a dielectric solid-state material, often referred to as a memristor.

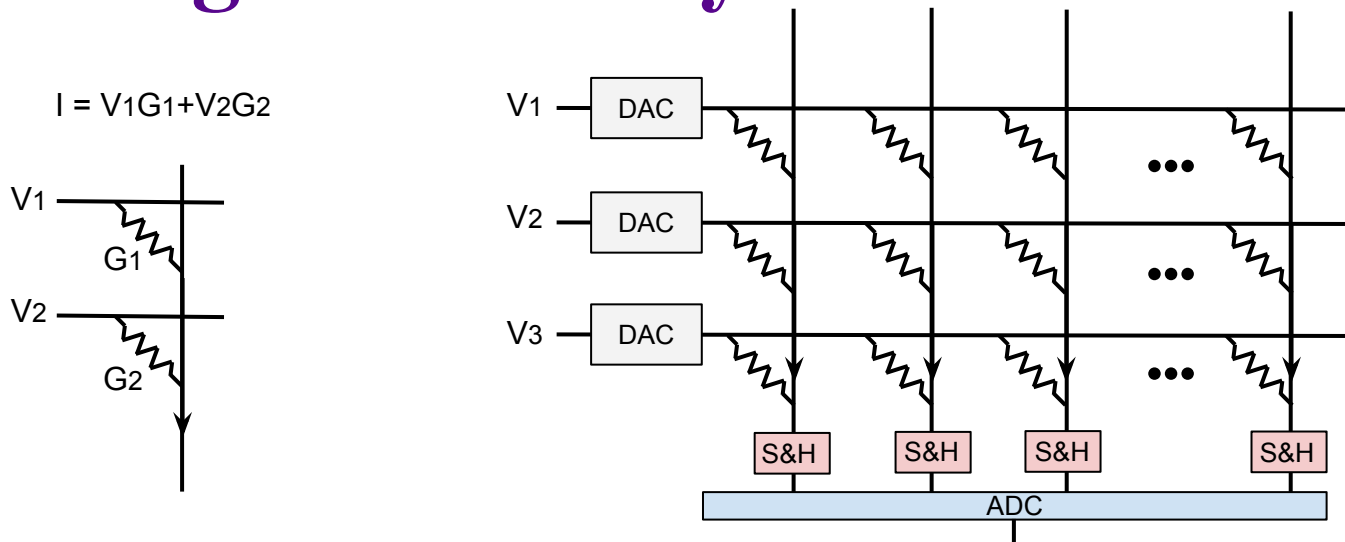


Processing In Memory



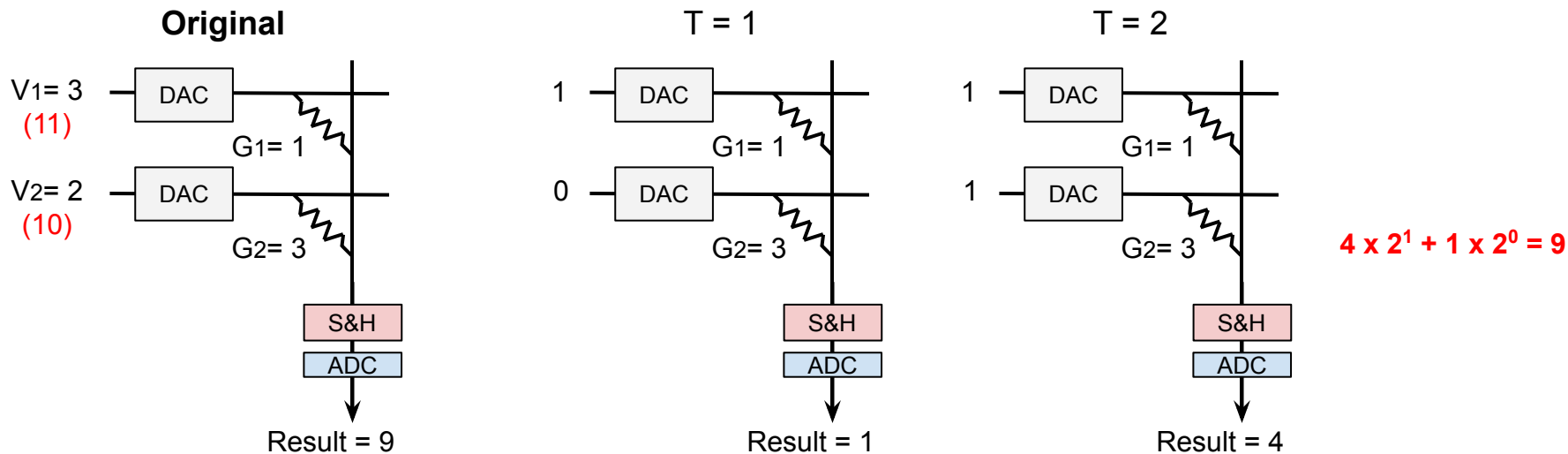
- The digital input are first passed to the DAC and converted to the analog input voltages.
- The voltages are applied to each of the rows in the crossbar array.

Processing In Memory



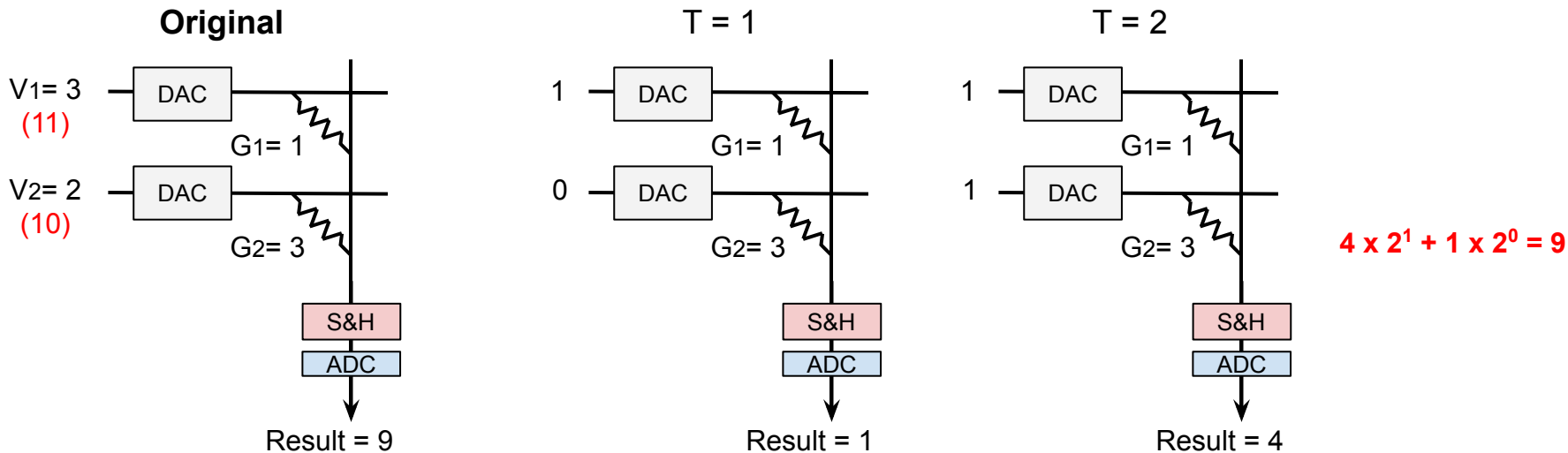
- The output current accumulated at the bottom of each column is the dot product between the voltages and the conductances across the rows.
- A sample-and-hold (S&H) circuit receives the bitline current and feeds it to a shared ADC unit

Processing In Memory



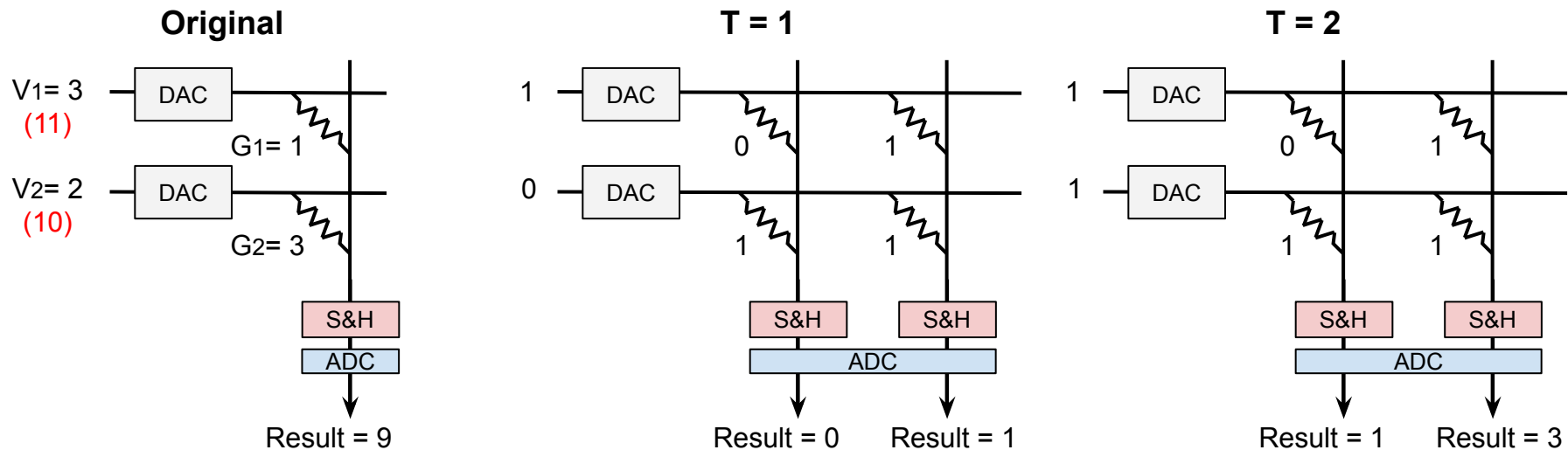
- Assume both inputs and weights are 16 bits, we need a 16-bit DAC to provide input voltage, 2^{16} resistance levels in each cell, and an ADC which can handle over 16 bits, which leads to a significant overhead.

Processing In Memory



- Instead, the digital input enters the crossbar in a bit-serial manner, the intermediate results are buffered in the register. Shift-Add operation is then performed after all the input bits entering the crossbar.

Processing In Memory



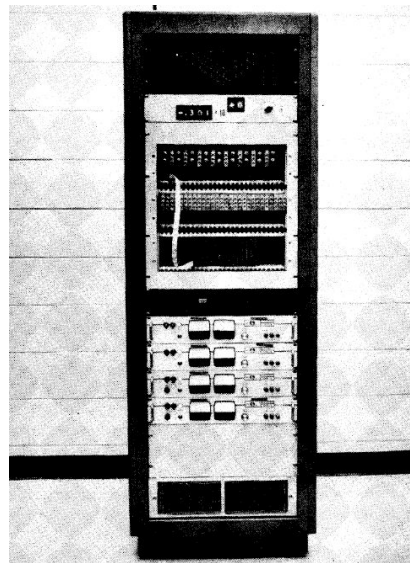
$$1 \times 2^0 + 0 \times 2^1 + 1 \times 2^1 + 3 \times 2^1 = 9$$

Topics

- Processing in memory
- Stochastic Computing

Stochastic Computing

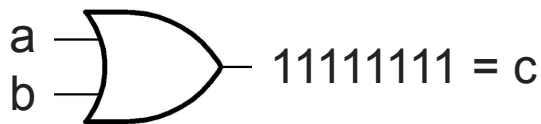
- Stochastic computing is a computational approach that utilizes random bit streams to perform numerical calculations, offering benefits in power efficiency and hardware simplicity, particularly for error-tolerant applications.
- Introduced by John von Neumann in 1953.



The RASCEL stochastic computer, circa 1969

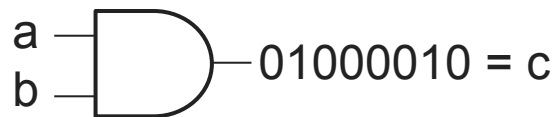
Stochastic Computing

- $a = 0.5, b = 0.5$
 - $a = 00111100 \quad p_a(1) = 0.5$
 - $b = 11000011 \quad p_b(1) = 0.5$



$$p_c(1) = 1$$

- $a = 0.5, b = 0.5$
 - $a = 11001010 \quad p_a(1) = 0.5$
 - $b = 01010011 \quad p_b(1) = 0.5$



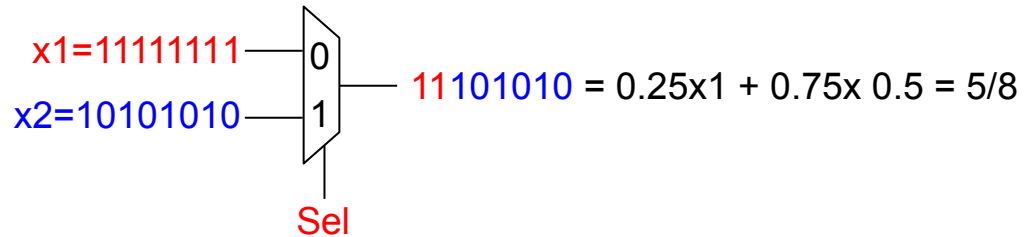
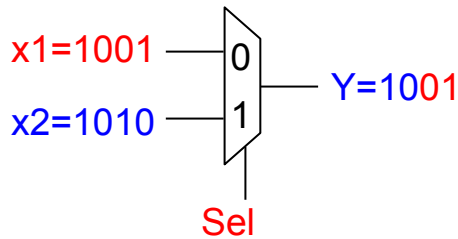
$$p_c(1) = 0.25$$

- As the input stream lengthens, the multiplication process will become more accurate.

Addition with Stochastic Computing

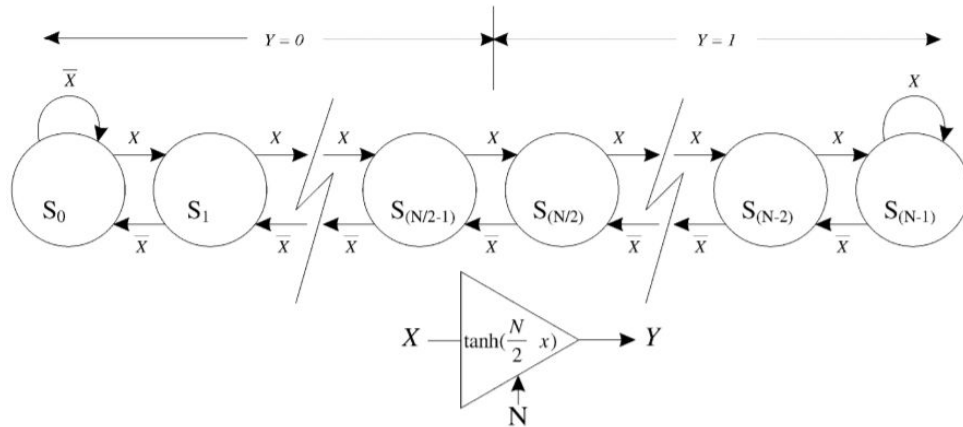
- MUX implementation

- By adjusting Sel over time, the output of the multiplexer will equal to the weighted sum of the input bit streams.
- The accuracy gets worse when the number of inputs to the MUX is large.



Nonlinear Operation with Stochastic Computing

- The tanh function is highly suitable for SC-based implementations because i) it can be easily implemented with a K-state finite state machine (FSM) in the SC domain.



- The major advantage of stochastic computing is the significantly lower hardware cost for a large category of arithmetic calculations.

Presentations

- ISAAC: CNN Accelerator with In-Situ Analog Arithmetic in Crossbars (Dhairya, Rohan)
- Sc-dcnn: Highly-scalable deep convolutional neural network using stochastic computing (Yinqi, Jeet)